



DEBRIS CHUTE

THE PLASTIC

The durability and life of the chute depend on the quality of the plastic. Superchute® uses a high grade polyethylene that is extremely resistant to abrasion and temperature extremes.

The plastic is unaffected by sub-zero temperature as low as -156°F (-100°C) which explain why Alaskan contractors insist on using Superchute®.

To resist sunlight degradation, the plastic is UV treated.

PLASTIC COLOR

Any color you like, as long as it is yellow! Our brilliant yellow plastic is a visible, safety-minded color and does a great job of showing off your name plate.



SUPERCHUTE® SPREADER BAR

Use the Superchute® Spreader Bar to attach a length of chute to a hoist or crane cable.

Superchute® manufactures two Spreader Bars to meet your needs:

The Light Duty Spreader Bar has cables and features a working load limit of 1000 lb. (450 kg).

The Heavy Duty Spreader Bar has chains and features a working load limit of 2000 lb. (900 kg).

THE LIGHT DUTY SPREADER BAR



THE HEAVY DUTY SPREADER BAR



SUPERCHUTE® SECTION AND LINER WEIGHTS

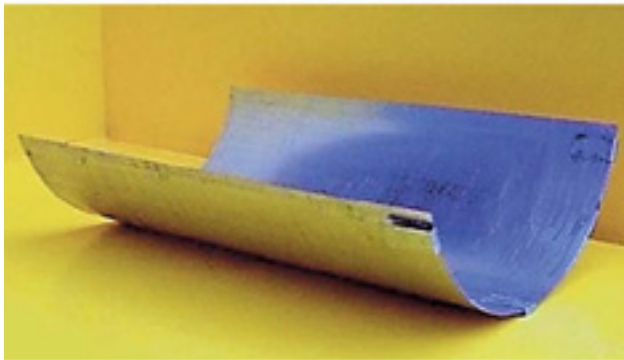
Before a chute is installed its total weight must be know. Knowing the weight of the chute enables the installer to choose a Chute Hoist, or similar, with sufficient load capacity.

Chute Specs		The Weight of Each Section in lb.							liners (in steel)
		Wraparounds Design			Welded Design				
Diameter	Wall Gauge	Regular	Top Hopper	Door	Regular	Top Hopper	Door		
18"	5 mm	-	-	-	23	24	29*	23	
23"	5 mm	30	30	40	27	29	36	32	
27"	5 mm	34	41	47	32	34	41	37	
30"	5 mm	39	41	50	36	39	47	40	
30"	4 mm	31	-	-	27	-	-	40	
30"	3.2 mm	28	-	-	-	-	-	40	
33"	5 mm	43	48	75	-	40	50	48	
36"	5 mm	46	55	64	-	46	57	53	

* - signifies that no such section exists.

STEEL LINERS

Use Superchute® Steel Liners to protect heavy-wear areas in your chute system, for example:



- The last few sections curving into the container
- The back wall of a door section
- The back wall of a top hopper

Superchute® Liners feature:

- 14 gauge galvanized steel construction
- Brackets for easy attachment to the wall
- Two hand-holds
- Painted diameter specs.
- Stainless steel warning label

Liners are available for all six chute section diameters:

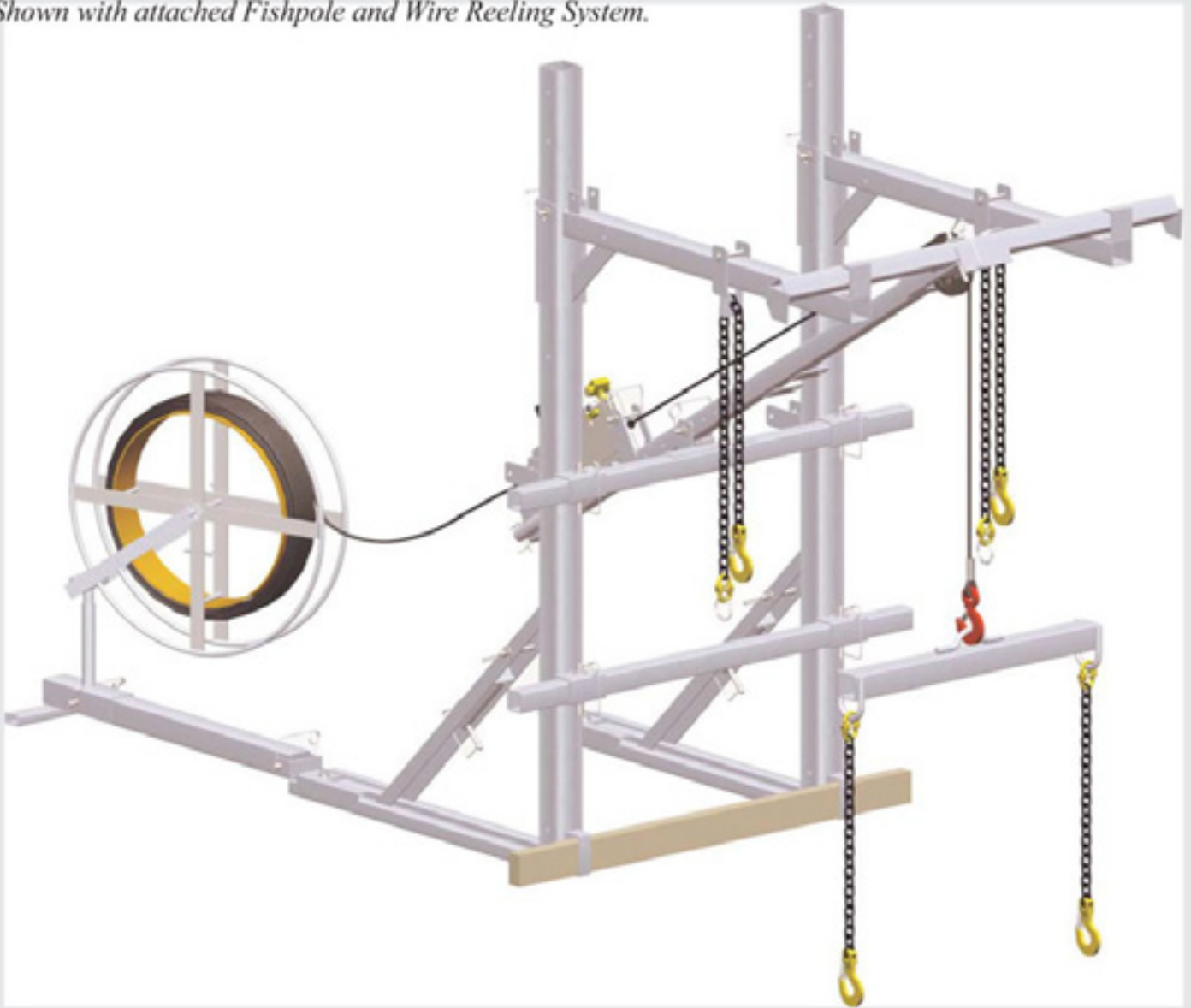
Chute Diameter	Weight of Liner
18"	23 lb.
23"	32 lb.
27"	37 lb.
30"	40 lb.
33"	48 lb.
36"	53 lb.



BOLT DOWN FRAMES

Model SC-750-bd

Shown with attached Fishpole and Wire Reeling System.



AN INTRODUCTION TO ...

Bolt Down Frames: SC-250-bd, SC-500-bd, SC-750-bd, SC-1000-bd & SC-1500-bd

The Superchute® Bolt Down Frame is a popular chute hoist that attaches to a concrete floor slab using 2 expansion anchor bolts (supplied). On jobs where drilling into the floor is not possible, the Frame can be secured using a Counterweight Conversion Kit.

Each Frame ships and stores as a neat, compact rectangular packet, and assembles in 5 minutes using only 6 locking pins. Built-in storage tubes hold the anchor bolts. There are no loose pieces.

Five Frame models are available. These offer a maximum chute load capacity of 250 lb, 500 lb, 750 lb, 1000 lb or 1500 lb. All feature a 3:1 safety factor. The length of chute that a single Frame can lift, support, and lower depends on the diameter of chute used (larger diameter chute sections weigh more).

On jobs where a taller chute is needed, Frames can be piggybacked on successive floors to achieve a maximum chute height of 200 ft.

Raise and lower the chute using a crane, boom lift, or the removable Fishpole. A single Fishpole can serve many frames of the same model.

The SC-250-bd and SC-500-bd Frames share the same Fishpoles as do the SC-750-bd and SC-1000-bd (3 Fishpole models are available: one has a drum winch with 90' of cable, the other two have a traction winch for cases where a longer cable is needed)



**WHEN PROPERLY USED. MEETS OSHA'S
FAII PROTECTION REQUIREMENTS**

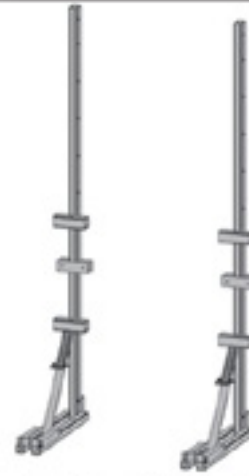
**THE ADEQUACY
OF THE SUPPORTING
STRUCTURE NEED TO
BE VERIFIED BY A
STRUCTURAL
ENGINEER**

STEP
1



Start with a closed packet.

STEP
2



Place the Masts side by side.

STEP
3



Insert the Tie Bars.

STEP
4



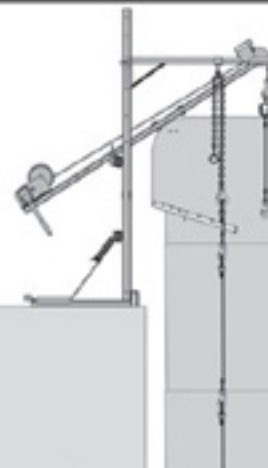
Install the Expansion Bolts.
Insert Toeboard. Attach Booms.

STEP
5



Install the Fishpole and lower the Spreader Bar.

STEP
6



Raise the chute. Connect Boom Chains to Chute.
Unclip Spreader Bar and remove Fishpole.

DIMENSIONS OF THE BOLT DOWN FRAMES

Secured using Expansion Anchor Bolts (Top View)

Model SC-250-bd

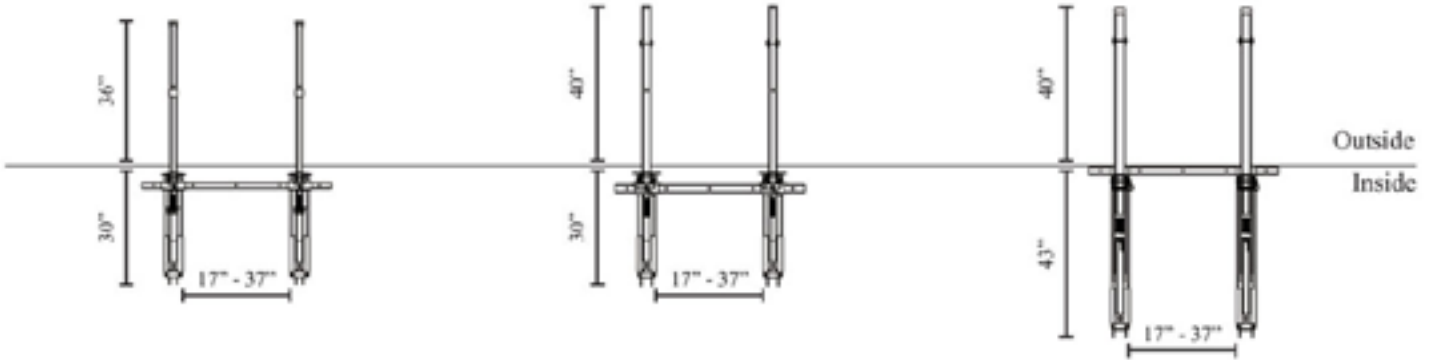
Frame Weight: 110 lb.
Fishpole Weight: 70 lb.
Mast Height: 6'6"

Model SC-500-bd

Frame Weight: 190 lb.
Fishpole Weight: 70 lb.
Mast Height: 6'6"

Model SC-750-bd

Frame Weight: 210 lb.
Fishpole Weight: 95 lb.
Mast Height: 6'6"

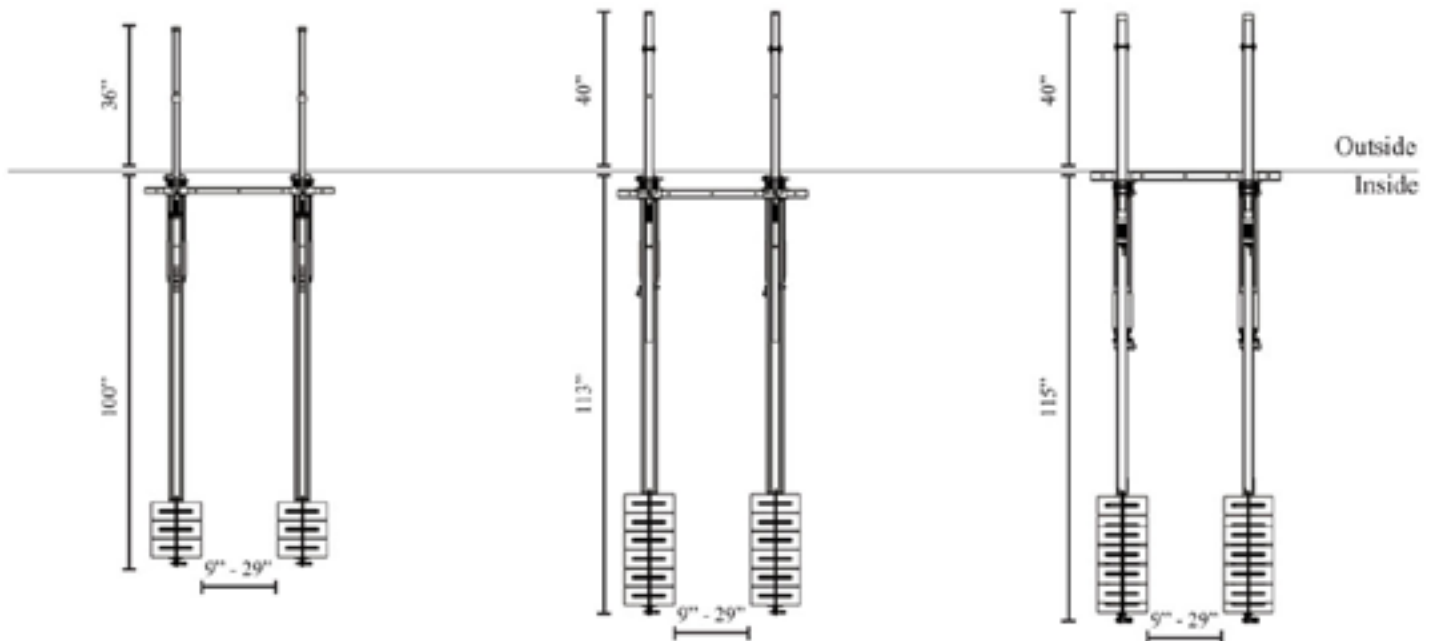


Secured using Counterweights (Top View)

Frame Weight: 190 lb.
Counterweights: 330 lb.

Frame Weight: 300 lb.
Counterweights: 660 lb.

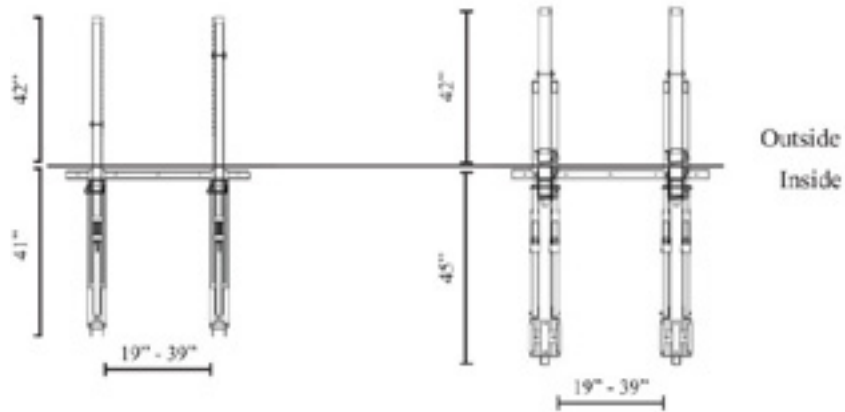
Frame Weight: 370 lb.
Counterweights: 1100 lb.



Secured using Expansion Anchor Bolts (Top View)

Model SC-1000-bd
Frame Weight: 275 lb.
Fishpole Weight: 115 lb.
Mast Height: 6'6"

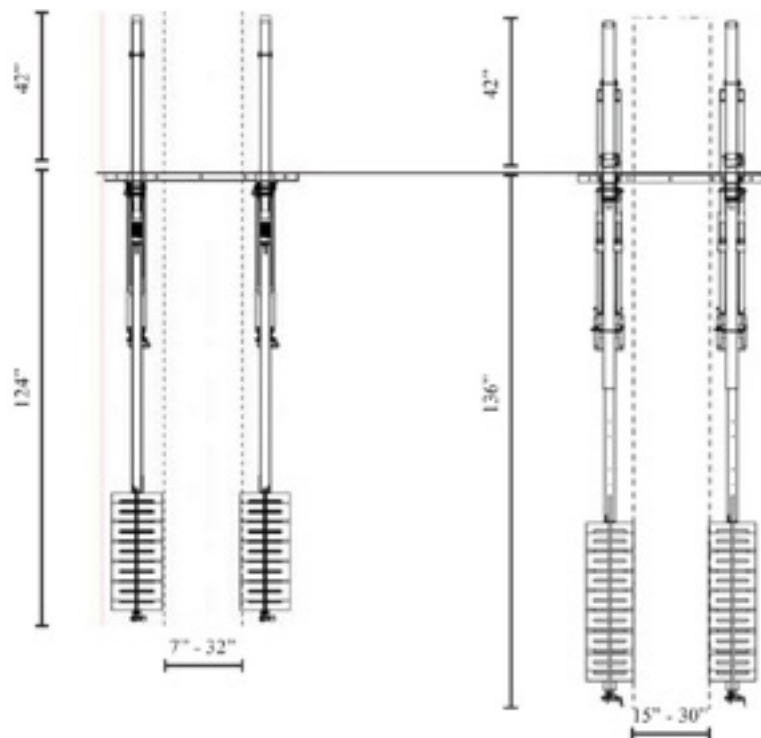
Model SC-1500-bd
Frame Weight: 300 lb.
Fishpole Weight: 30 lb.
Mast Height: 6'6"



Secured using Counterweights (Top View)

Frame Weight: 415 lb.
Counterweights:: 1210 lb.

Frame Weight: 500 lb.
Counterweights:: 1650 lb.



LOCATIONS

KIGDOM OF SAUDI ARABIA

unitech.ksa@ikkgroup.com

Jeddah

Tel : +966 12 627 8222
Fax: +966 12 627 8722

Jeddah - Ghurab Showroom

Tel : +966 12 667 2000
Fax: +966 12 661 4306

Mak kah/Taif

Tel : +966 12 541 1206
Fax: +966 12 532 1675

Mad inah

Tel : +966 14 842 1095
Fax: +966 14 842 1090

Yanbu

Tel : +966 14 390 1499
Fax: +966 14 322 7101

Khamis Mushayt

Tel : +966 17 237 5929
Fax: +966 17 237 8783

Najran

Tel : +966 17 546 3873
Fax : +966 17 546 3873

Al Baha

Tel : +966 17 237 5929
Fax: +966 17 237 8783

Sharorah

Tel : +966 17 532 8153
Fax: +966 17 532 8153

Gizan

Tel : +966 17 321 6660
Fax: +966 17 321 0665

Riyadh North

Tel : +966 11 415 5465
Fax: +966 11 456 6627

Riyadh South

Tel : +966 11 448 0112
Fax: +966 11 447 7421

Riyadh West

Tel : +966 11 431 6271
Fax: +966 11 431 7642

Riyadh East

Tel : +966 11 448 0112
Fax: +966 11 447 7421

Qassim / Buraidah

Tel : +966 16 382 3946
Fax: +966 16 385 2186

Hail

Tel : +966 16 543 3931
Fax: +966 16 543 3935

Skakah / Qurayyat

Tel : +966 14 626 3904
Fax: +966 14 626 3905

Tabuk

Tel : +966 14 423 5203
Fax: +966 14 423 5203

Hafr el Batin

Tel : +966 13 729 3644
Fax: +966 13 729 3644

Dammam

Tel : +966 13 859 0097
Fax: +966 13 857 8177

Jubail

Tel : +966 13 361 4390
Fax: +966 13 362 4499

Hofuf

Tel : +966 13 530 1474
Fax: +966 13 530 7144

FACTORIES

SFSP - KSA

sfsp.jeddah@ikkgroup.com

Specialized Factory for Steel Products

3rd Industrial City / Jeddah

Tel: +966 12 637 4482
Fax: +966 12 636 1963

SFSP / UAE

sfsp.uae@ikkgroup.com

SIGMA Factory for Steel Products

DIC (Dubai Industrial City)

Tel : +971 4 818 1919

SFSP / Egypt

sfsp.cairo@ikkgroup.com

Specialized Factory for Steel Products

6th of October City Giza

Tel : +20 2 3820 6477
Fax: +20 2 3820 6036

SFSP / Lebanon

sfsp.lebanon@ikkgroup.com

Specialized Factory for Steel Products

Tanayel, Bekaa

Tel: +961 8 514 290
Fax: +961 8 514 291

BAHRAIN

unitech.bahrain@ikkgroup.com

Manama

Tel : +973 17 874 897
Fax: +973 17 789 470

KUWAIT

unitech.kuwait@ikkgroup.com

Kuwait City

Tel : +965 2 4924 937
Fax: +965 2 4924 938

UNITED ARAB EMIRATES

unitech.uae@ikkgroup.com

Dubai - Al Rashidiyah

Tel : +971 4 2591 773
Fax : +971 4 2591 774

Abu Dhabi - Musaffah

Tel: +971 2 552 3393
Fax: +971 2 552 5499

OMAN

unitech.oman@ikkgroup.com

Muscat

Tel : +968 24 591 006
Fax : +968 24 597 006

JORDAN

unitech.jordan@ikkgroup.com

Amman

Tel : +962 6 556 3030
Fax: +962 6 554 7911

Aqaba

Tel : +962 6 556 3030
Fax: +962 6 554 7911

PAKISTAN

unitech.pakistan@ikkgroup.com

Karachi - Clifton

Tel-Fax : +92 21 35826120

EGYPT

unitech.egypt@ikkgroup.com

Cairo 6th of October City

Tel : +20 2 3820 6477
Fax: +20 2 3820 6036

LEBANON

unitech.lebanon@ikkgroup.com

Beirut

Tel : +961 1 858 277
Fax: +961 1 858 276

ENGINEERING, DESIGN, MARKETING & MULTIMEDIA

Unitech Deutschland GmbH

Germany

unitech.germany@ikkgroup.com

Stuttgart

Tel : +49 711 6868 7222
Fax: +49 711 6868 7223

Multi-D s.a.r.l

Lebanon

multi-d@ikkgroup.com

Multi-d Beirut

Tel : +961 1 841 155
Fax: +961 1 841 156

R&D DEPARTMENT

Saih Suhaib-3, Opp DEWA Substation, Dubai Industrial City, Dubai, UAE

Tel : +971 4 818 1944 - Mob: +971 55 517 0841

Email: unitech.uae@ikkgroup.com - abed.demachkieh@ikkgroup.com