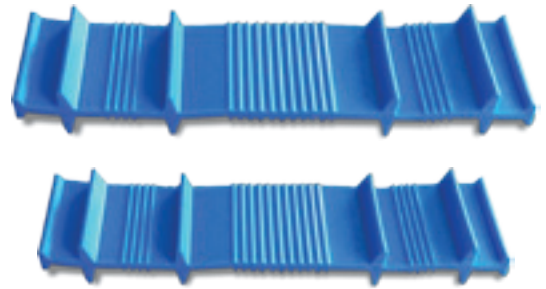


PVC WATERSTOPS

UNISTOP

COMPOSITION AND MATERIALS

UNISTOP WaterStop is a specially formulated Polyvinyl Chloride (PVC) compound. Flexible, resilient, tough, chemically inert, is not affected by weathering, low temperatures, or constant immersion in water. It will withstand rough treatment during installation, yet is relatively easy to install and splice. UNISTOP WaterStop is unaffected by concrete additives and most water solutions of organic chemicals. It has the ability to accommodate joint movements and at the same time prevent water passage through the joints.



USAGE

UNISTOP WaterStop is designed for use in any concrete structure which contains joints and is subjected to a hydrostatic load on one face of the structure. It prevents water movement through concrete joints in water reservoirs, canals, dams, sewage treatment plants, bridges, stadiums, basements, floor slabs, parking garages, and similar structures.

PROPERTIES

UNISTOP WaterStop is unaffected by alkalis, acids, hydrocarbons, oxidation, sewerage, and most water solutions of organic chemicals. It is extremely resistant to abrasion, corrosion, and aging. For physical properties see Table 1.

AREAS OF APPLICATION

WATER RETAINING

- Sewage treatment plants
- Water treatment plants
- Swimming pools
- Reservoirs
- Dams and Spillways
- Bund walls

WATER EXCLUDING

- Basement areas
- Underground car parks
- Tunnels
- Retaining walls
- Suspended slabs
- Pits
- Roof slabs

STRUCTURAL ENGINEERING

- Bridges
- Industrial buildings
- Power stations

PHYSICAL PROPERTIES

PROPERTIES	TEST METHOD	NOMINAL VALUES
Specific Gravity	ASTM D 792	1.4±0.1 g/cc
Tensile Strength	ASTM D 638 DIN 53455	13.7±1 MPa 13.7 N/mm ²
Ultimate Elongation	ASTM D 638 DIN 53455	300% 300%
Hardness-Shore - A	ASTM D 2240 DIN 53505	75±5 75±5
Stiffness in Flexure	ASTM D 747	4.14 MPa 4.14 N/mm ²
Tear Resistance	ASTM D 624	285 lb/in.min 50KN/m
Water Absorption		
- 24 hours	ASTM 570	0.82%
- 48 hours	ASTM 570	0.320%
Resistance to Chemicals Density	ASTM 570	Excellent to inorganic solutions: salts, hydrocarbons, acids, and alkalis



MATERIAL PROPERTIES

Material	Uni-crete PVC Waterstops
Density	1,52 g/cm ³
Vicat fusion point	80°C
Modulus of elasticity	3200 N/mm ²
Tensile strength	65 N/mm ²
Ball hardness	120 N/mm ²
Water absorption	0,04 %
Boundary bending stress	92 N/mm ²
Elongation	65%
Notch impact strength at 23°C	5,5 KJ/m ²
Linear tolerance	±0,7 %
Linear expansion coefficient	8 x 10 ⁻⁵ K ⁻¹
Fire resistance	B2

The material is free of lead, cadmium, formaldehyde and suitable for exterior use.

CAUTION

Despite careful storage, attention shall be paid to the waterstops being free from any soiling during installation.

During installation, there is a risk of the waterstops being damaged by contact with sharp edges of the rebars.

Before placing the concrete, the waterstops shall be checked once again for cleanliness and proper installation, i.e.

- The absence of any dirt (e.g. concrete remainders, sawdust, crown caps and other foreign objects),
- Secure fastening,
- Alignment with respect to the joint, and
- Distance from the rebars.

It is advisable to fix the waterstop in place with a preliminary layer of concrete. During compaction, the vibrating head shall not come into contact with the waterstop. When removing the formwork it is of prime importance that the waterstop is neither damaged nor loosened or detached from the fresh concrete. This is especially important for external waterstops. If in spite of all cautionary measures - the waterstop is still found to be defective areas shall be marked and immediately repaired in an appropriate way. External waterstops shall be secured in place before backfilling the working space. During prolonged interruptions of the construction work, the waterstops shall be protected against any external influence. This protection can be achieved by covering up the waterstops with a formwork box.

INSTALLATION OF THE WATERSTOPS

The waterstops is to be installed together with the reinforcement and attached to the same.

Auxiliary aids:

- Waterstops clips and binding wire with a spacing of approximately 30 cm.
- Factory-installed brass lugs and binding wire.

Stabilized construction joint waterstops with round steel embedded in the waterstop every 10 cm or external round steel clips at about the same spacing offer significant advantages during installation. The latter make the use of waterstop clips superfluous. External waterstops are to be placed on the sub-base or to be fixed on the formwork before the rebars are installed.

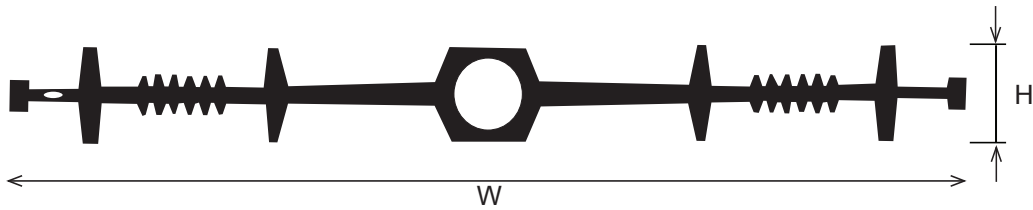
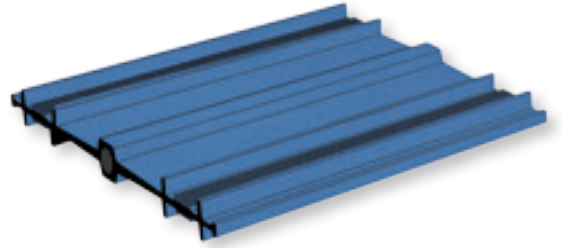


TYPES OF WATERSTOPS

Two main types of profiles are available. UNISTOP Centerstop for centrally placed applications and UNISTOP Outerstop for externally placed applications. These profiles are available in rolls with separate intersections supplied to simplify and minimise on-site fabrication.

1- Center ribbed type with center bulb:

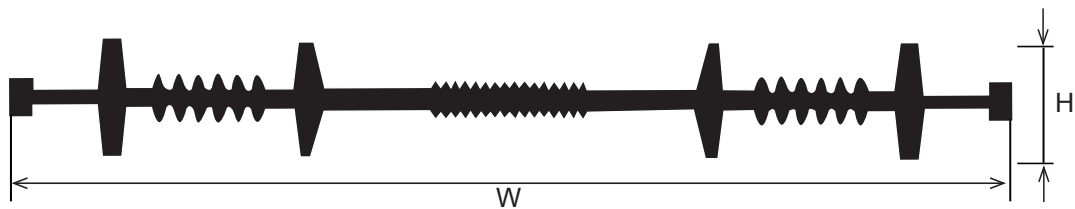
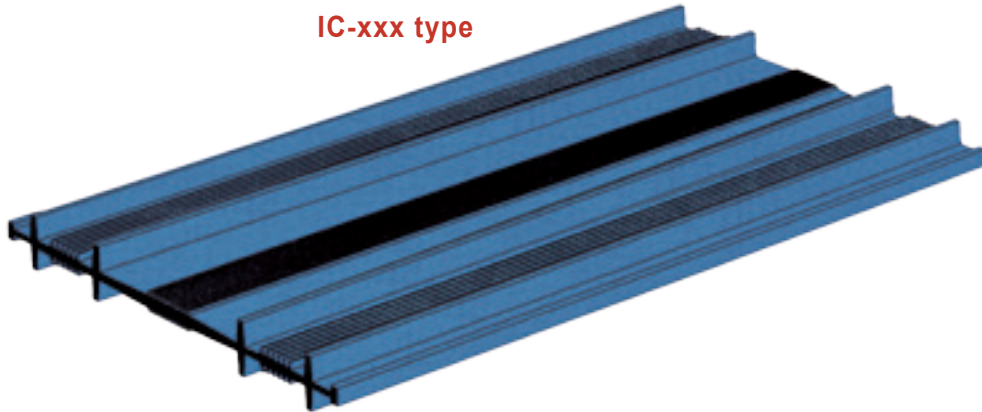
Center ribbed type with center bulb waterstop profiles are fixed generally on the middle of the slab or wall joint of the concrete structure. This profile provides a barrier to water trying either to enter or leave the structure. The central bulb enables it to be used in joints where movement may occur. It can be used in horizontal and vertical applications for expansion, construction joints. The bulb works with both lateral and transverse movement, and the ribs provide better water tight sealing than do non-ribbed types.



2- Center Ribbed type without center bulb :

This type is designed for horizontal and vertical construction joints where an economical and easy to install product is required.

IC-xxx type



TYPES OF WATERSTOPS

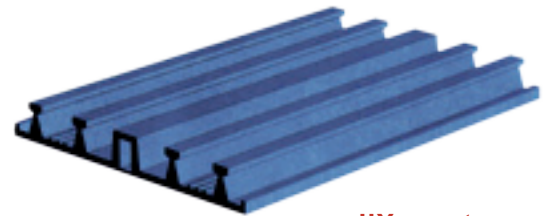
Two main types of profiles are available. UNISTOP Centerstop for centrally placed applications and UNISTOP Outerstop for externally placed applications. These profiles are available in rolls with separate intersections supplied to simplify and minimise on-site fabrication.

OUTERSTOP PROFILES

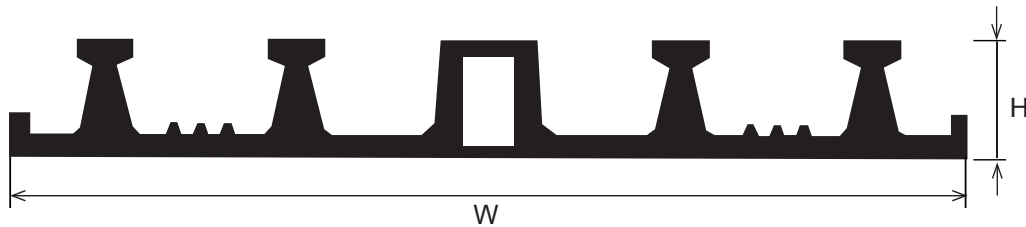
Externally placed profiles are designed for use in floor and basement areas in horizontal and vertical joints. UBI Outerstop profiles are located on the external face to the concrete. The specially designed keys enable compaction to be obtained around the waterstop, bonding the concrete and waterstop together forming a positive water barrier.

1- Outer Ribbed type with v-bulb :

For use in expansion, construction and contraction joints, the flat top bulb section allows support for any joint filler and allows for any movement in the structure. The bottom of the bulb has a "V" shaped notch so that should the joint open beyond the capacity of the PVC bulb, the bottom of it will tear along the notch and permit the bulb to open whilst still maintaining the water barrier.

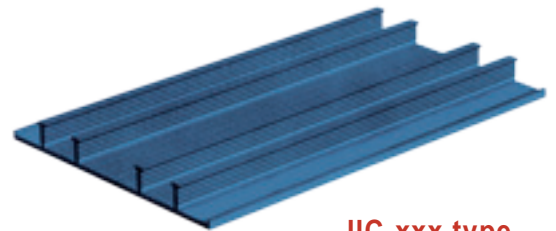


IIX-xxx type

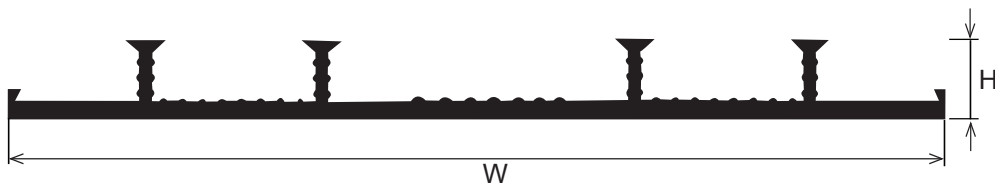


2- Outer Ribbed type without V-bulb:

It is important that all waterstops are held securely during the concrete pour and that the concrete is properly compacted to remove voids and porous areas. For horizontal applications where an already stable support exists, UNISTOP outerstop profiles generally require no fixing as they are laid centrally along the joint being formed. For use in construction and contraction joints, where no movement is expected



IIC-xxx type



INTERSECTIONS

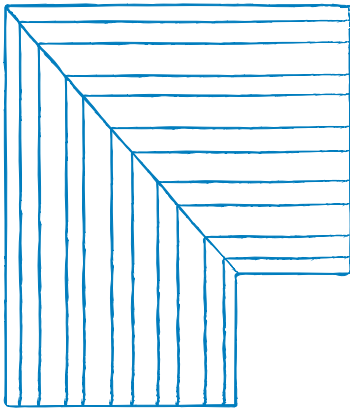
A range of prefabricated intersections, both standard and specials are available for each UBI profile.

These are factory made and are usually very difficult to make in the field. By using factory-made intersections, the contractor has to only make straight joining welds on site.

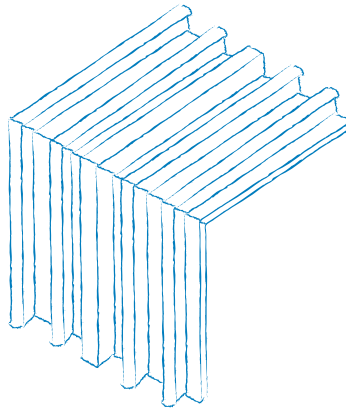
The standard leg length is 250mm. Factory welded units to suit lift pits, etc. are also available.

Intersection pieces

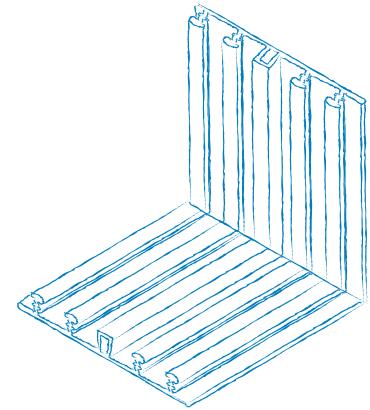
A range of intersection pieces is available for each profile. The standard leg is 250mm.



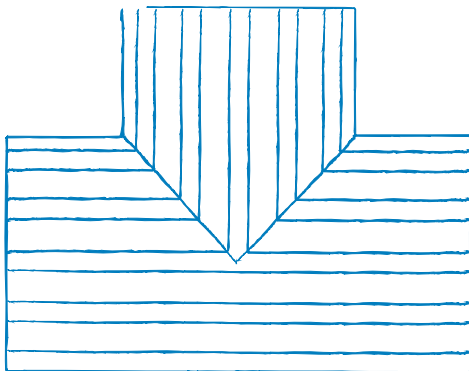
Two way flat



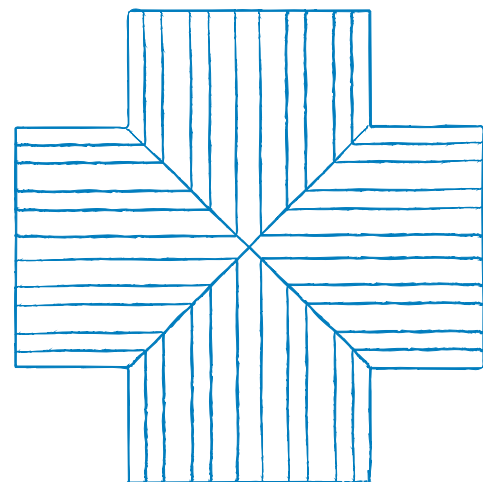
Two way vertical outside profile



Two way vertical inside profile



Three way flat



Four way flat

LOCATIONS

KIGDOM OF SAUDI ARABIA

unitech.ksa@ikkgroup.com

Jeddah

Tel : +966 12 627 8222
Fax: +966 12 627 8722

Jeddah - Ghurab Showroom

Tel : +966 12 667 2000
Fax: +966 12 661 4306

Mak kah/Taif

Tel : +966 12 541 1206
Fax: +966 12 532 1675

Mad inah

Tel : +966 14 842 1095
Fax: +966 14 842 1090

Yanbu

Tel : +966 14 390 1499
Fax: +966 14 322 7101

Khamis Mushayt

Tel : +966 17 237 5929
Fax: +966 17 237 8783

Najran

Tel : +966 17 546 3873
Fax : +966 17 546 3873

Al Baha

Tel : +966 17 237 5929
Fax: +966 17 237 8783

Sharorah

Tel : +966 17 532 8153
Fax: +966 17 532 8153

Gizan

Tel : +966 17 321 6660
Fax: +966 17 321 0665

Riyadh North

Tel : +966 11 415 5465
Fax: +966 11 456 6627

Riyadh South

Tel : +966 11 448 0112
Fax: +966 11 447 7421

Riyadh West

Tel : +966 11 431 6271
Fax: +966 11 431 7642

Riyadh East

Tel : +966 11 448 0112
Fax: +966 11 447 7421

Qassim / Buraidah

Tel : +966 16 382 3946
Fax: +966 16 385 2186

Hail

Tel : +966 16 543 3931
Fax: +966 16 543 3935

Skakah / Qurayyat

Tel : +966 14 626 3904
Fax: +966 14 626 3905

Tabuk

Tel : +966 14 423 5203
Fax: +966 14 423 5203

Hafr el Batin

Tel : +966 13 729 3644
Fax: +966 13 729 3644

Dammam

Tel : +966 13 859 0097
Fax: +966 13 857 8177

Jubail

Tel : +966 13 361 4390
Fax: +966 13 362 4499

Hofuf

Tel : +966 13 530 1474
Fax: +966 13 530 7144

FACTORIES

SFSP - KSA

sfsp.jeddah@ikkgroup.com

Specialized Factory for Steel Products

3rd Industrial City / Jeddah

Tel: +966 12 637 4482
Fax: +966 12 636 1963

SFSP / UAE

sfsp.uae@ikkgroup.com

SIGMA Factory for Steel Products

DIC (Dubai Industrial City)

Tel : +971 4 818 1919

SFSP / Egypt

sfsp.cairo@ikkgroup.com

Specialized Factory for Steel Products

6th of October City Giza

Tel : +20 2 3820 6477
Fax: +20 2 3820 6036

SFSP / Lebanon

sfsp.lebanon@ikkgroup.com

Specialized Factory for Steel Products

Tanayel, Bekaa

Tel: +961 8 514 290
Fax: +961 8 514 291

BAHRAIN

unitech.bahrain@ikkgroup.com

Manama

Tel : +973 17 874 897
Fax: +973 17 789 470

KUWAIT

unitech.kuwait@ikkgroup.com

Kuwait City

Tel : +965 2 4924 937
Fax: +965 2 4924 938

UNITED ARAB EMIRATES

unitech.uae@ikkgroup.com

Dubai - Al Rashidiyah

Tel : +971 4 2591 773
Fax : +971 4 2591 774

Abu Dhabi - Musaffah

Tel: +971 2 552 3393
Fax: +971 2 552 5499

OMAN

unitech.oman@ikkgroup.com

Muscat

Tel : +968 24 591 006
Fax : +968 24 597 006

JORDAN

unitech.jordan@ikkgroup.com

Amman

Tel : +962 6 556 3030
Fax: +962 6 554 7911

Aqaba

Tel : +962 6 556 3030
Fax: +962 6 554 7911

PAKISTAN

unitech.pakistan@ikkgroup.com

Karachi - Clifton

Tel-Fax : +92 21 35826120

EGYPT

unitech.egypt@ikkgroup.com

Cairo 6th of October City

Tel : +20 2 3820 6477
Fax: +20 2 3820 6036

LEBANON

unitech.lebanon@ikkgroup.com

Beirut

Tel : +961 1 858 277
Fax: +961 1 858 276

ENGINEERING, DESIGN, MARKETING & MULTIMEDIA

Unitech Deutschland GmbH

Germany

unitech.germany@ikkgroup.com

Stuttgart

Tel : +49 711 6868 7222
Fax: +49 711 6868 7223

Multi-D s.a.r.l

Lebanon

multi-d@ikkgroup.com

Multi-d Beirut

Tel : +961 1 841 155
Fax: +961 1 841 156

R&D DEPARTMENT

Saih Suhaib-3, Opp DEWA Substation, Dubai Industrial City, Dubai, UAE

Tel : +971 4 818 1944 - Mob: +971 55 517 0841

Email: unitech.uae@ikkgroup.com - abed.demachkieh@ikkgroup.com