

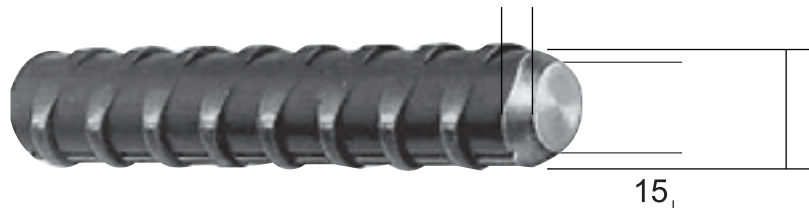
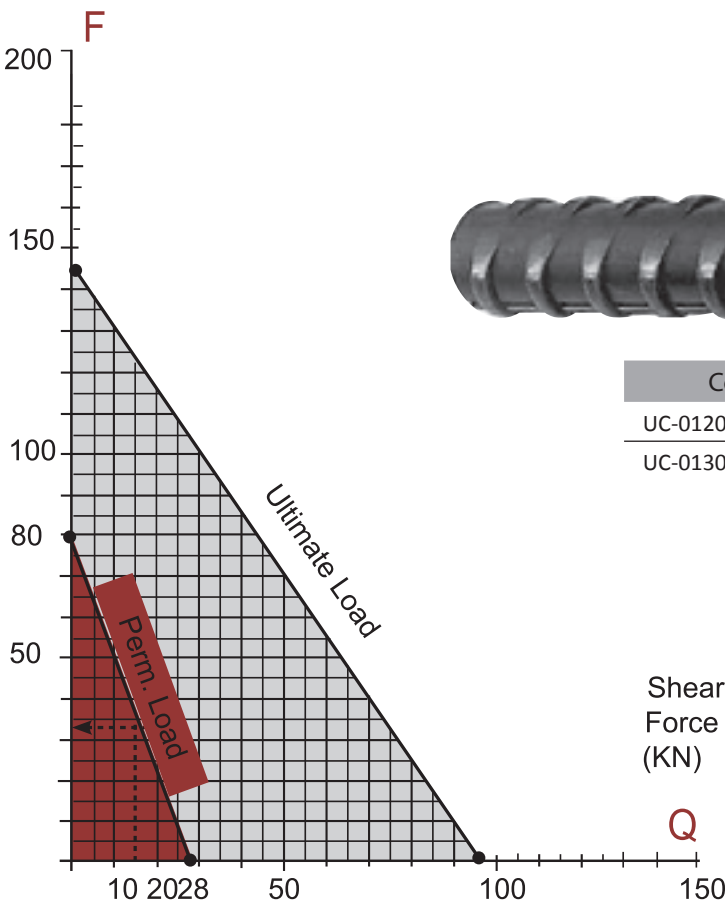


CONCRETE ACCESSORIES

TIE RODS

- Form tie rods DG 15/17 made from mild steel and steel EN 8 are threaded along their entire length. Natural finish with anti rust coating.
- Core diameter = 15mm (outer diameter= 17mm).
- Weight 1.44 Kg/m
- Permissible load (breaking and working load) as per DIN 18216 | $F_{perm.} = 80-90$ KN
- Permissible shear load (breaking and working load) | $Q_{perm.} = 28$ KN
- Ultimate tensile load (breaking and working load) | $F_{ult.} = 146$ KN
- Yield force $F_{yield} = 121$ KN
- Rupture elongation $E_{rup} = 15\%$
- Safety regulation: Do not weld and heat tie rods because there will be danger of cracking!

Tensile Force (KN)



Code	Size
UC-0120-C-GSTRD3	DG 15/17 x 3 LM
UC-0130-C-GSTRD6	DG 15/17 x 6 LM

17

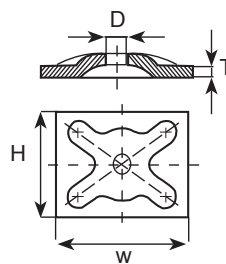
GALVANIZED WALER PLATES

Plates are made from steel ST 37 to accommodate tie rods DG 15/17.
To be used with wing nuts or hexagon nuts.
For use in both timber and steel formwork.

Zinc plated.

$\emptyset D = 20$ mm.

Code	Size (W x H x T)	Permissible load (KN)
UC-0160-C-GPRWR6	120 x 120 x 6 mm	80
UC-0170-C-GPRWR8	120 x 120 x 8 mm	90



GALVANIZED WING NUTS / SW 27

Wing nuts are made of cast iron to be used in conjunction with waler plates for securing tie rods in formwork applications.
For use in both timber and steel formwork.

Zinc plated.

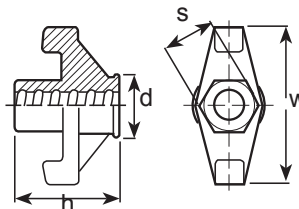
h = 60 mm

d = 33 mm

w = 90 mm

s = 27 mm

Code	Permissible Load (KN)
UC-0140-C-GWNT35	80 KN



GALVANIZED WALER NUTS / SW 27

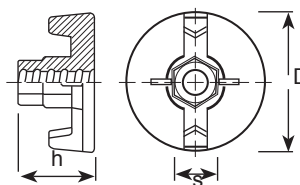
Waler nuts are made from cast iron to accommodate tie rods DG 15/17.
For use without waler or counter plates in both timber and steel formwork.

Zinc plated.

h = 55 mm

s = 27 mm.

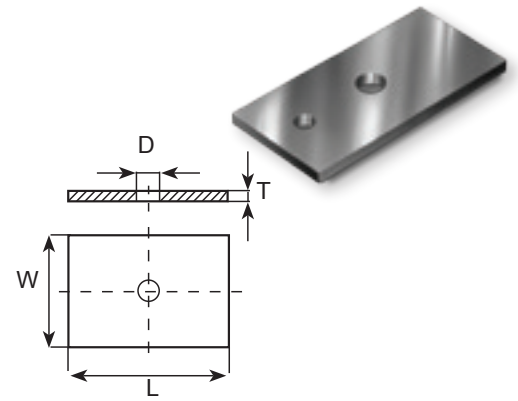
Code	Base Diameter D (mm)
UC-0175-C-GAN30	70 mm
UC-0176-C-GAN50	100 mm



GALVANIZED COUNTER PLATES / PLAIN

Counter plates made from steel ST 37.
 To accommodate tie rods DG 15/17.
 To be used in both timber and steel formwork with wing or hexagon nuts.
Hot-dip galvanized.
 $\varnothing D = 20\text{mm}$.

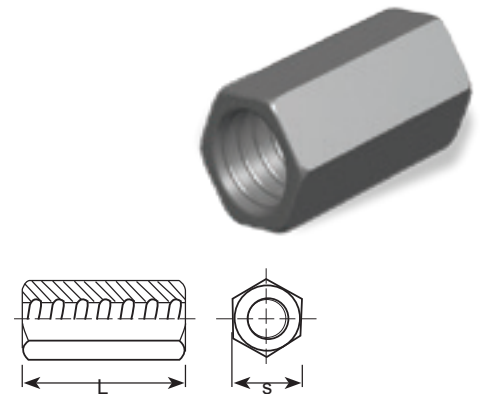
Code	Size (L x W x T)
UC-0145-C-GCP	140 x 70 mm x 8 mm



HEXAGON NUTS / SW 30

For use with tie rods DG 15/17 in both timber and steel formwork with waler or counter plate.
 50 mm length to be used also as bar connector.
 To be operated by means of a spanner.
Zinc plated.
 Hex size $s = 30\text{ mm}$

Code	Size
UC-0150-C-GJCP30	DG15/17 x 30 mm
UC-0155-C-GJCP50	DG15/17 x 50 mm

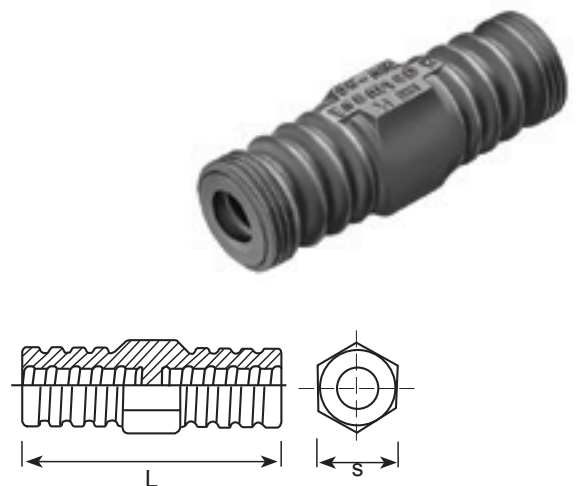


WATER STOPPERS OR BARRIERS / SW 36

This malleable cast iron - Grade BM 30- 06 Grey iron part is used together with tie rods DG 15/17 for the construction of watertight concrete walls. It is very often the case that customers demand the tie rods to be connected up to a so-called waterstop in the middle of the wall.
Zinc plated.
 Hex size $s = 36\text{ mm}$.

Code	Size L x S	Permissible Load (KN)
UC-0180-C-SWB116	DG15/17 x 116 mm	80-90 KN

These systems are used for basement walls or tanks where a watertight structure is required. After the concrete has cured the bars are unscrewed from the watertight coupling, formwork cones removed and the holes are then grouted with mortar or injected with polyester resin.



PVC TUBES - THRUTY SLEEVES

Rigid PVC tube, supplied in length of 2 m, which can be easily cut to size on site. To be used as an expandable sleeve over tie-rods, facilitating their removal and also acting as a spacer to give correct shutter position. Tubes allow the recovery of the tie rods by preventing contact with the concrete. Length to be cut depends on wall thickness.
(length= wall thickness minus 2 cm)

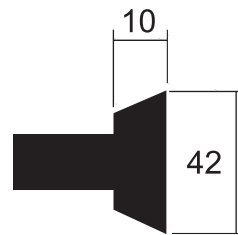


Code	Inner Diameter (mm)	Outer Diameter (mm)	Length (mm)
UC-200-C-PVT222	22	26	2000

PVC THRUTY CONES

Thru cones used at the ends of thru sleeves and can be easily extracted after removal of the formwork, to form a chamfered recess for subsequent grouting.

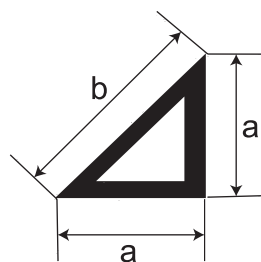
Code	For Sleeve Inner (mm)	Recess Depth (mm)
UC-0190-C-PVCN22	22	10



PVC CHAMFER STRIPS

PVC profiles suitable for forming chamfered corners to columns and beams. Chamfers are re-usable.

Code	Dimension A x Length
UC-0020-C-PCH102	10 mm x 2 LM
UC-0030-C-PCH152	15 mm x 2 LM
UC-0040-C-PCH202	20 mm x 2 LM
UC-0050-C-PCH252	25 mm x 2 LM
UC-0060-C-PCH302	30 mm x 2 LM



PVC CHAIR SPACER

This spacer is the most popular spacer for horizontal placed reinforcement in slabs and beams. It has good stability and can be used with various bar diameters due to its concave seat. Designed for light reinforcement in slabs and beams.

Code	Size
UC-0510-C-PCHS25	25 mm
UC-0520-C-PCHS30	30 mm
UC-0530-C-PCHS40	40 mm
UC-0540-C-PCHS50	50 mm



PVC CLIP SPACER

Code	Size
UC-0610-C-PCLS25	25 mm
UC-0620-C-PCLS30	30 mm
UC-0630-C-PCLS40	40 mm
UC-0640-C-PCLS50	50 mm
UC-0650-C-PLSS75	75 mm



PVC WHEEL SPACER

Wheel spacers for universal use. Clamping retention lugs for different steel diameters. Extra-wide support area reduces possibility of tipping over. Open style design does not interrupt concrete flow. External ribs for minimal formwork contact.

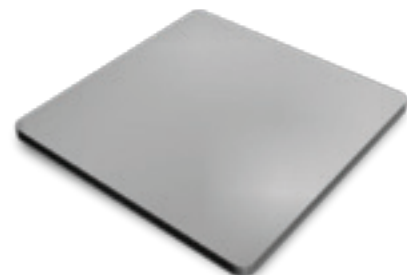
Code	Size
UC-0610-C-PWLS20	20 mm
UC-0620-C-PWLS25	25 mm
UC-0630-C-PWLS30	30 mm
UC-0640-C-PWLS40	40 mm
UC-0640-C-PWLS50	50 mm
UC-0660-C-PWLS75	75 mm



SHIM PAD

For assembling precast concrete parts and facade elements.

Code	Thickness	Size
UC-0330-C-PSHM02	2 mm	70 x 70 x 2 mm
UC-0340-C-PSHM03	3 mm	70 x 70 x 3 mm
UC-0350-C-PSHM04	5 mm	70 x 70 x 5 mm
UC-0370-C-PSHM10	10 mm	70 x 70 x 10 mm



LOCATIONS

KIGDOM OF SAUDI ARABIA

unitech.ksa@ikkgroup.com

Jeddah

Tel : +966 12 627 8222
Fax: +966 12 627 8722

Jeddah - Ghurab Showroom

Tel : +966 12 667 2000
Fax: +966 12 661 4306

Mak kah/Taif

Tel : +966 12 541 1206
Fax: +966 12 532 1675

Mad inah

Tel : +966 14 842 1095
Fax: +966 14 842 1090

Yanbu

Tel : +966 14 390 1499
Fax: +966 14 322 7101

Khamis Mushayt

Tel : +966 17 237 5929
Fax: +966 17 237 8783

Najran

Tel : +966 17 546 3873
Fax : +966 17 546 3873

Al Baha

Tel : +966 17 237 5929
Fax: +966 17 237 8783

Sharorah

Tel : +966 17 532 8153
Fax: +966 17 532 8153

Gizan

Tel : +966 17 321 6660
Fax: +966 17 321 0665

Riyadh North

Tel : +966 11 415 5465
Fax: +966 11 456 6627

Riyadh South

Tel : +966 11 448 0112
Fax: +966 11 447 7421

Riyadh West

Tel : +966 11 431 6271
Fax: +966 11 431 7642

Riyadh East

Tel : +966 11 448 0112
Fax: +966 11 447 7421

Qassim / Buraidah

Tel : +966 16 382 3946
Fax: +966 16 385 2186

Hail

Tel : +966 16 543 3931
Fax: +966 16 543 3935

Skakah / Qurayyat

Tel : +966 14 626 3904
Fax: +966 14 626 3905

Tabuk

Tel : +966 14 423 5203
Fax: +966 14 423 5203

Hafr el Batin

Tel : +966 13 729 3644
Fax: +966 13 729 3644

Dammam

Tel : +966 13 859 0097
Fax: +966 13 857 8177

Jubail

Tel : +966 13 361 4390
Fax: +966 13 362 4499

Hofuf

Tel : +966 13 530 1474
Fax: +966 13 530 7144

FACTORIES

SFSP - KSA

sfsp.jeddah@ikkgroup.com

Specialized Factory for Steel Products

3rd Industrial City / Jeddah

Tel: +966 12 637 4482
Fax: +966 12 636 1963

SFSP / UAE

sfsp.uae@ikkgroup.com

SIGMA Factory for Steel Products

DIC (Dubai Industrial City)

Tel : +971 4 818 1919

SFSP / Egypt

sfsp.cairo@ikkgroup.com

Specialized Factory for Steel Products

6th of October City Giza

Tel : +20 2 3820 6477
Fax: +20 2 3820 6036

SFSP / Lebanon

sfsp.lebanon@ikkgroup.com

Specialized Factory for Steel Products

Tanayel, Bekaa

Tel: +961 8 514 290
Fax: +961 8 514 291

BAHRAIN

unitech.bahrain@ikkgroup.com

Manama

Tel : +973 17 874 897
Fax: +973 17 789 470

KUWAIT

unitech.kuwait@ikkgroup.com

Kuwait City

Tel : +965 2 4924 937
Fax: +965 2 4924 938

UNITED ARAB EMIRATES

unitech.uae@ikkgroup.com

Dubai - Al Rashidiyah

Tel : +971 4 2591 773
Fax : +971 4 2591 774

Abu Dhabi - Musaffah

Tel: +971 2 552 3393
Fax: +971 2 552 5499

OMAN

unitech.oman@ikkgroup.com

Muscat

Tel : +968 24 591 006
Fax : +968 24 597 006

JORDAN

unitech.jordan@ikkgroup.com

Amman

Tel : +962 6 556 3030
Fax: +962 6 554 7911

Aqaba

Tel : +962 6 556 3030
Fax: +962 6 554 7911

PAKISTAN

unitech.pakistan@ikkgroup.com

Karachi - Clifton

Tel-Fax : +92 21 35826120

EGYPT

unitech.egypt@ikkgroup.com

Cairo 6th of October City

Tel : +20 2 3820 6477
Fax: +20 2 3820 6036

LEBANON

unitech.lebanon@ikkgroup.com

Beirut

Tel : +961 1 858 277
Fax: +961 1 858 276

ENGINEERING, DESIGN, MARKETING & MULTIMEDIA

Unitech Deutschland GmbH

Germany

unitech.germany@ikkgroup.com

Stuttgart

Tel : +49 711 6868 7222
Fax: +49 711 6868 7223

Multi-D s.a.r.l

Lebanon

multi-d@ikkgroup.com

Multi-d Beirut

Tel : +961 1 841 155
Fax: +961 1 841 156

R&D DEPARTMENT

Saih Suhaib-3, Opp DEWA Substation, Dubai Industrial City, Dubai, UAE

Tel : +971 4 818 1944 - Mob: +971 55 517 0841

Email: unitech.uae@ikkgroup.com - abed.demachkieh@ikkgroup.com